

REV	DATE	DESCRIPTION	DRAWN
△			

SPECIFICATIONS:

*BODY:ALUMINUM(6061)/BLACK MATT FINISH

*CONNECTOR:

RP SMA MALE/BRASS/NICKEL PLATED

RP SMA FEMALE/BRASS/NICKEL PLATED

CONTACT/BRASS/GOLD PLATED

INSULATOR/TEFLON

*FREQUENCY RANGE:3GHz

*V.S.W.R:a.1GHz~2GHz LESS THAN 1.2

b.2GHz~3GHz LESS THAN 1.5

*INSERTION LOSS:LESS THAN 0.2dB

*DC BREAKDOWN VOLTAGE:DC90V±20%

*TOLERANCE OF DCBV: ±15%

*IMPULSE BREAKDOWN VOLTAGE@1KV/us: ≤700V 5KV/MAX

*AC DISCHARGE CURRENT@50Hz:10A

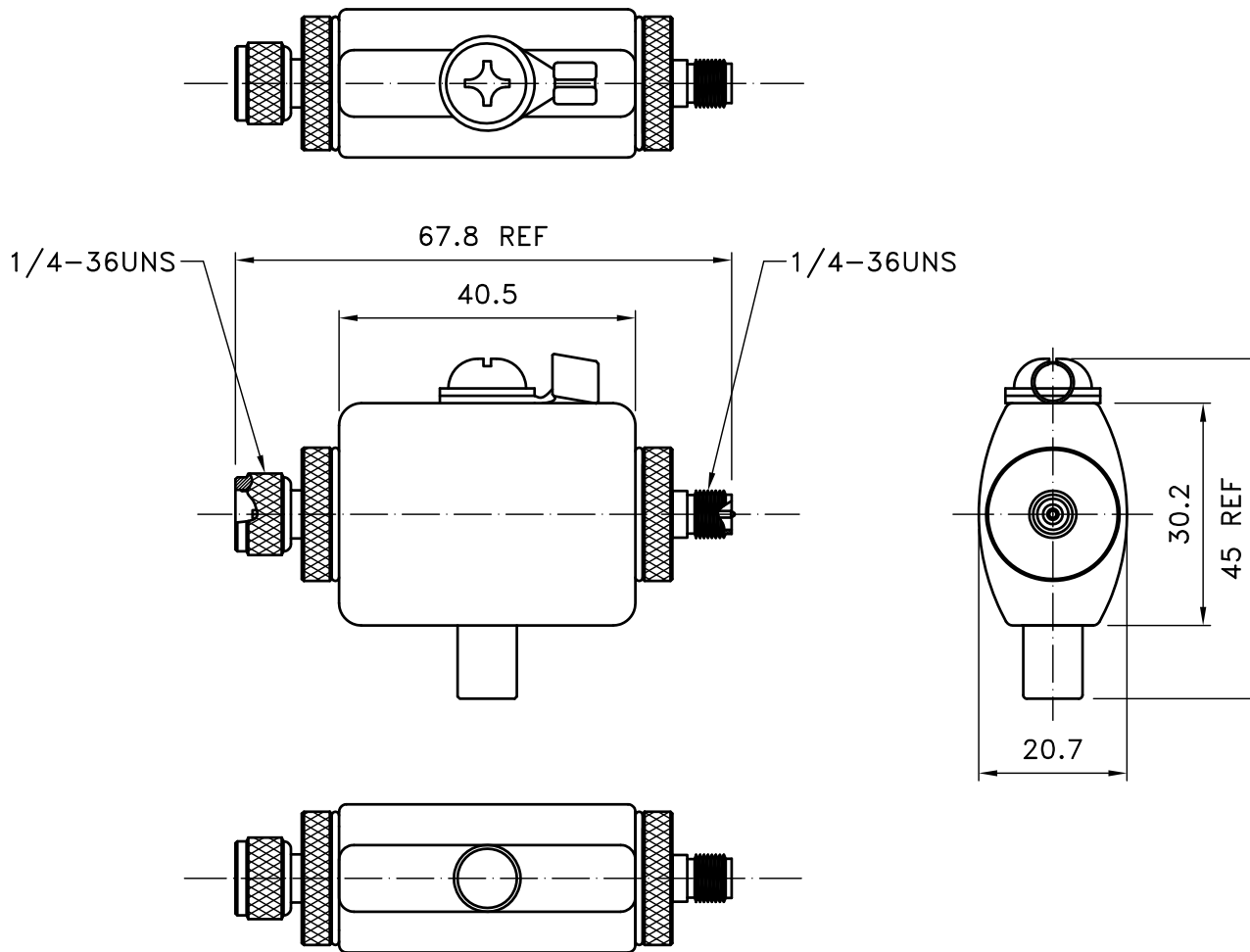
*Surge Discharge Current:


100A(10/1000 μs,300times with 3mins interval)

10kA (8/20 μs,10times with 3mins interval)

*INSULATION RESISTANCE: ≥10000Mohm

*ELECTRODE CAPACITANCE@1MHz: ≤1.5



 WIFI-Link™ 台灣崑海尼可	
TITLE LP N FEMALE TO N FEMALE 2.4GHz	
DRAWING NO. WL-LA-RSMAP-RSMAJ	
APPROVED	DRAWN DATE 01/21/11
CHECKED	SCALE 1:1
DRAWN ALICE	UNIT mm

NOTE	DIMENSION
1. STRIP ALL BURRS.	UNLESS OTHERWISE NOTED TOLERANCES X=±0.3 0.X=±0.2 0.XX=±0.1
2. ALL DIMENSIONS ARE AFTER PLATING.	
3. DIAMETERS ON COMMON CENTERS TO BE CONCENTRIC WITHIN 0.1 T.I.R	
4. CHAMFER 1ST & LAST THREADS 45°	
5. BREAK ALL CONNERS & EDGES CO.15 MAX.	