



WIFI-Link™ Technologies Inc.

歲海尼可網路科技有限公司

WEB: <http://www.wifi-link.com.tw/> TEL: 06-2523801 FAX: 06-2526033

12dBi 指向平板天線(2.4GHz PANEL Antenna)

WLP-2450-12

APPLICATIONS AND FEATURES

Applications:

- 2.4GHz-2.5GHz 12dBi ISM Band
- IEEE 802.11b, 802.11g, 802.11n Wireless LAN
- Directional application
- Bluetooth、Wi-Fi、RFID
- Public Wireless Hotspot
- Wireless Video Systems

Features :

- Superior Performance
- The Weight is light
- Good appearance design
- Optional Mounting Kits available
- Installed for vertical or horizontal polarization
- Heavy Duty mounting
- RoHS Compliant



SPECIFICATIONS:

Electrical Specifications

Frequency Range	2400~2483MHz
V.S.W.R	≤ 1.5:1
Return Loss	≥ -14db
Antenna Type	Collinear
Gain	12dBi
Polarization	Vertical or Horizontal
Maximum Power	50W
Vertical Beam-with	28°
Horizontal Beam-with	65°
Impedance	50Ω
Connector	N Female

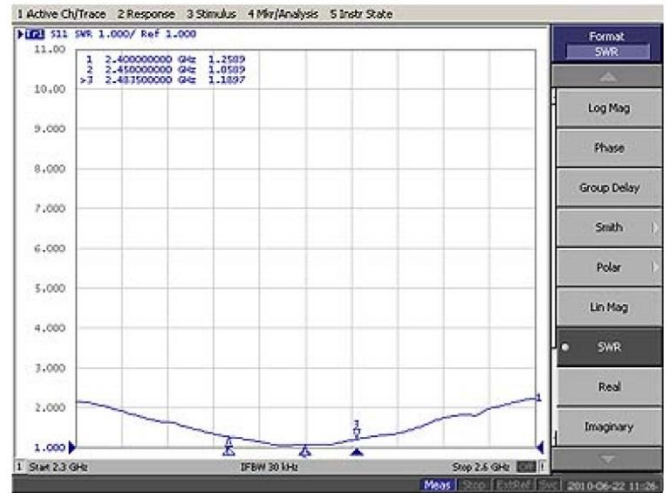
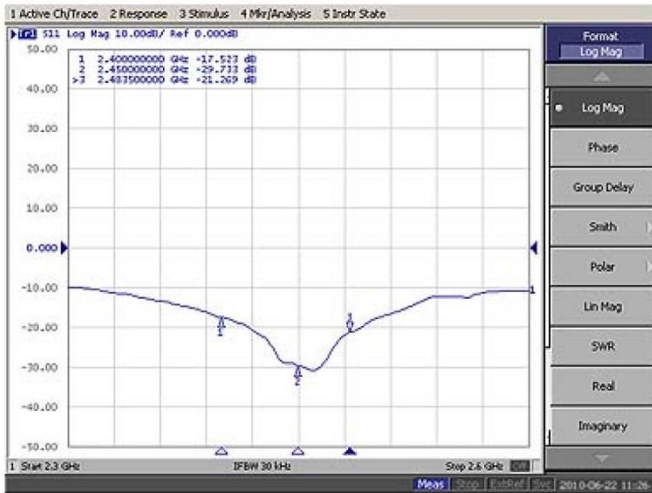
Mechanical Specifications

Size	L241x W90XH33mm
Weight	500g
Wind Survival	N/A
Radome Material	ABS+UV resistance
Clamps	Multiple options
Mounting	Multiple options
Operating Temperature	-40°C to +80°C

TESTING REPORT

Return Loss

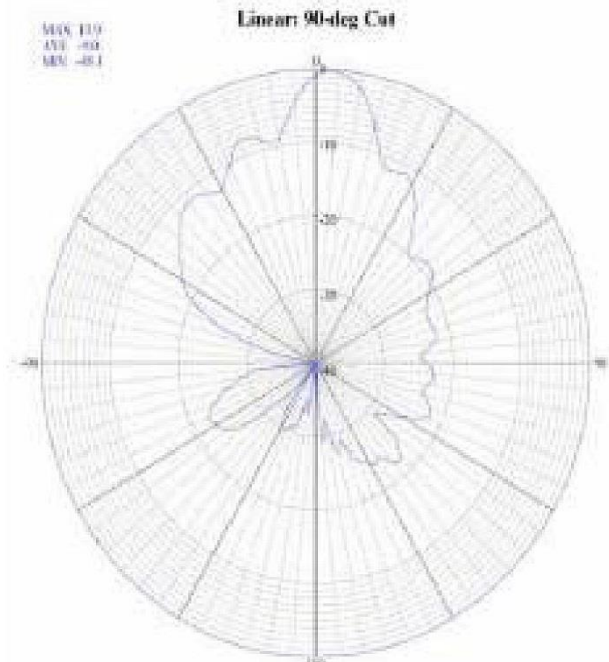
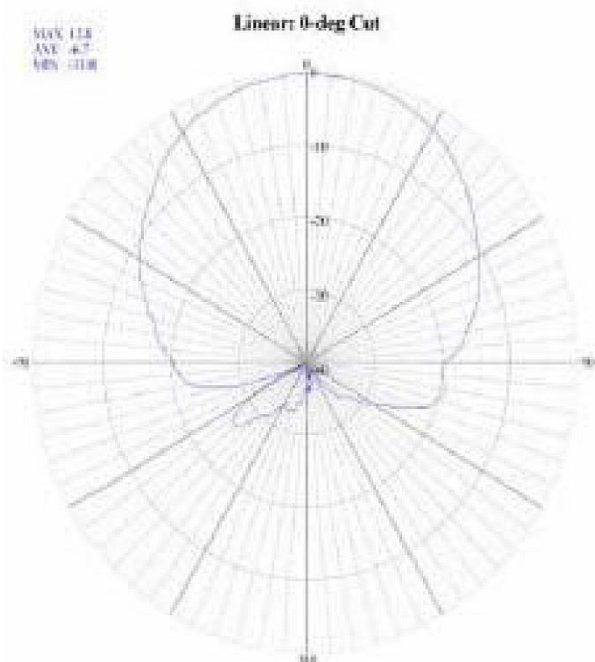
V.S.W.R



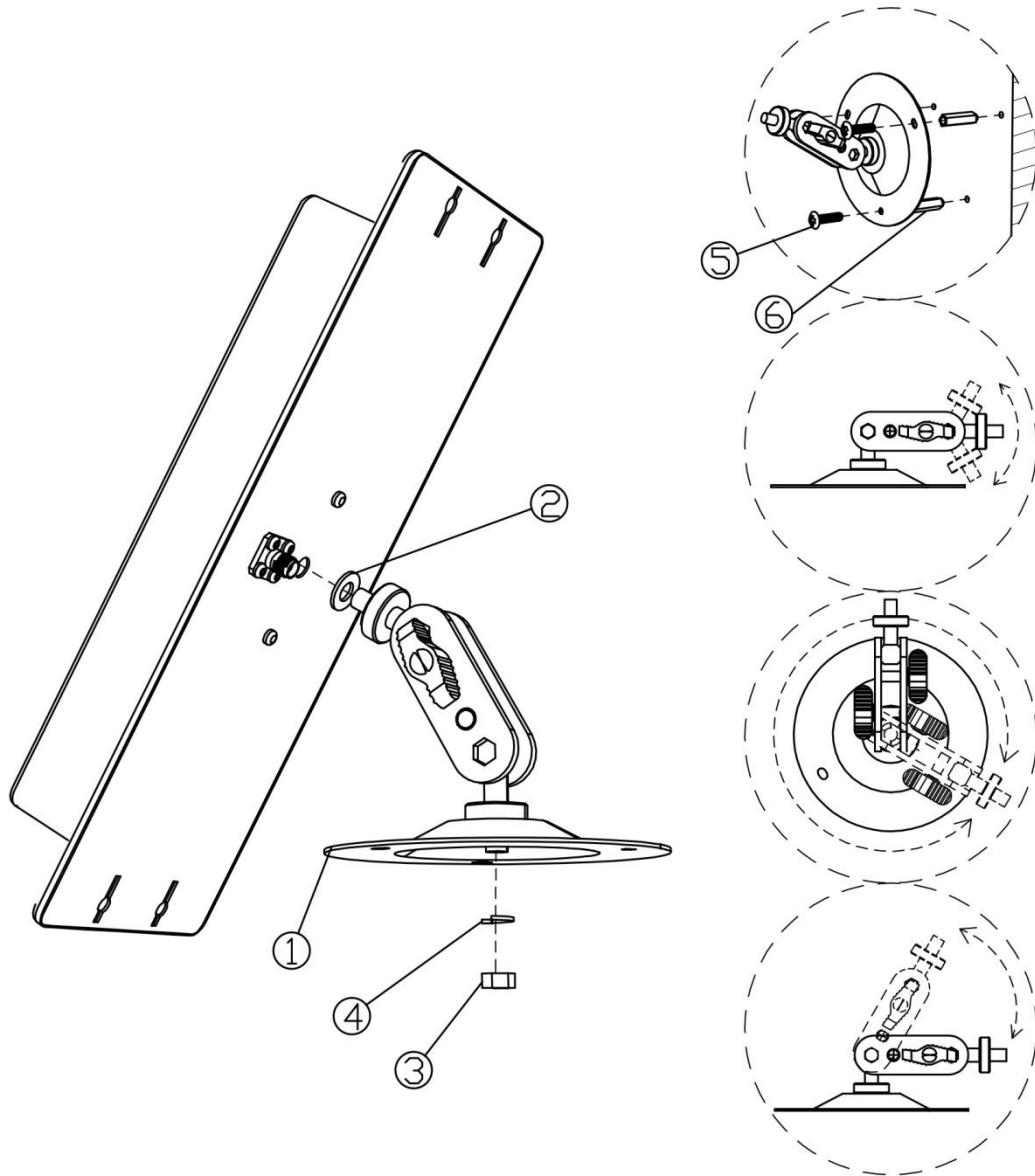
Antenna Horizontal Pattern

Vertical

Horizontal



WLP-2450-12



ACCESSORIES

- | | | | | | |
|---|---|--------|---|---|--------|
| ① |  | * 1 PC | ② |  | * 1 PC |
| ③ |  | * 1 PC | ④ |  | * 1 PC |
| ⑤ |  | * 3 PC | ⑥ |  | * 3 PC |



WIFI-Link™ Technologies Inc.

歲海尼可網路科技有限公司

WEB:<http://www.wifi-link.com.tw/> TEL:06-2523801 FAX:06-2526033