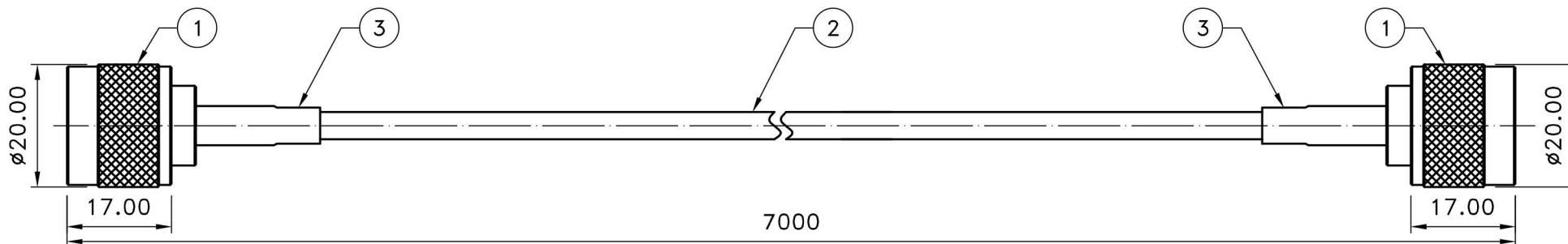


REV	DATE	DESCRIPTION	DRAWN



Prohibit re-circulating

**NOTE:**

- 1.N MALE CRIMP  
 CENTER PIN GOLD PLATING 3μ THICK OVER NICKEL STRIKE  
 BODY NICKEL PLATING 70μ THICK OVER NICKEL STRIKE  
 BRASS AND PTFE PER SGS  
 FINISH PLATING THICKNESS IN MICRO-INCHES  
 COPPER PARTS AUTOMATIC CNC MANUFACTURING
- 2.LOW LOSS 200 COAXIAL CABLE/3D  
 ATTENUATION : 0.32dB/m@900MHZ 0.42dB/m@1800MHZ 0.61dB/m@3000MHZ  
 CONDUCTOR : BARE COPPER WIRE/Ø1.12mm  
 INSULATION : GAS-FPE/Ø2.95mm  
 TAPE : BONDED ALUMINUM FOIL  
 SHIELD : TINNED COPPER WARE/16\*4\*0.10mm/59% COVERAGE  
 JACKET : PVC/Ø4.95mm



NO	DESCRIPTION	MATERIAL	FINISH	Q'ty
3	D0176 (SHRINK TUBE)	PE	BLACK	2
2	LLC200	ASSY	BLACK	1
1	N-1101-4-F2-TGN	BRASS	NICKEL	2

NOTE	DIMENSION
1.STRIP ALL BURRS. 2.ALL DIMENSIONS ARE AFTER PLATING. 3.DIAMETERS ON COMMON CENTERS. TO BE CONCENTRIC WITHIN 0.1 T.I.R 4.CHAMFER 1ST & LAST THREADS 45° 5.BREAK ALL CONNERS & EDGES CO.15 MAX.	UNLESS OTHERWISE NOTED TOLERANCES 0.X=±0.2 0.XX=±0.1 CABLE LENGTH: L ≥10000=+50 1000≤L<10000=+30 L<1000=+8

<b>WIFI-Link™</b> 台灣威海尼可	
TITLE N male to N male	
DRAWING NO. np-np-200-7.0	
APPROVED	DRAWN DATE 08/12/15
CHECKED	SCALE 1:1
DRAWN ALICE	UNIT mm